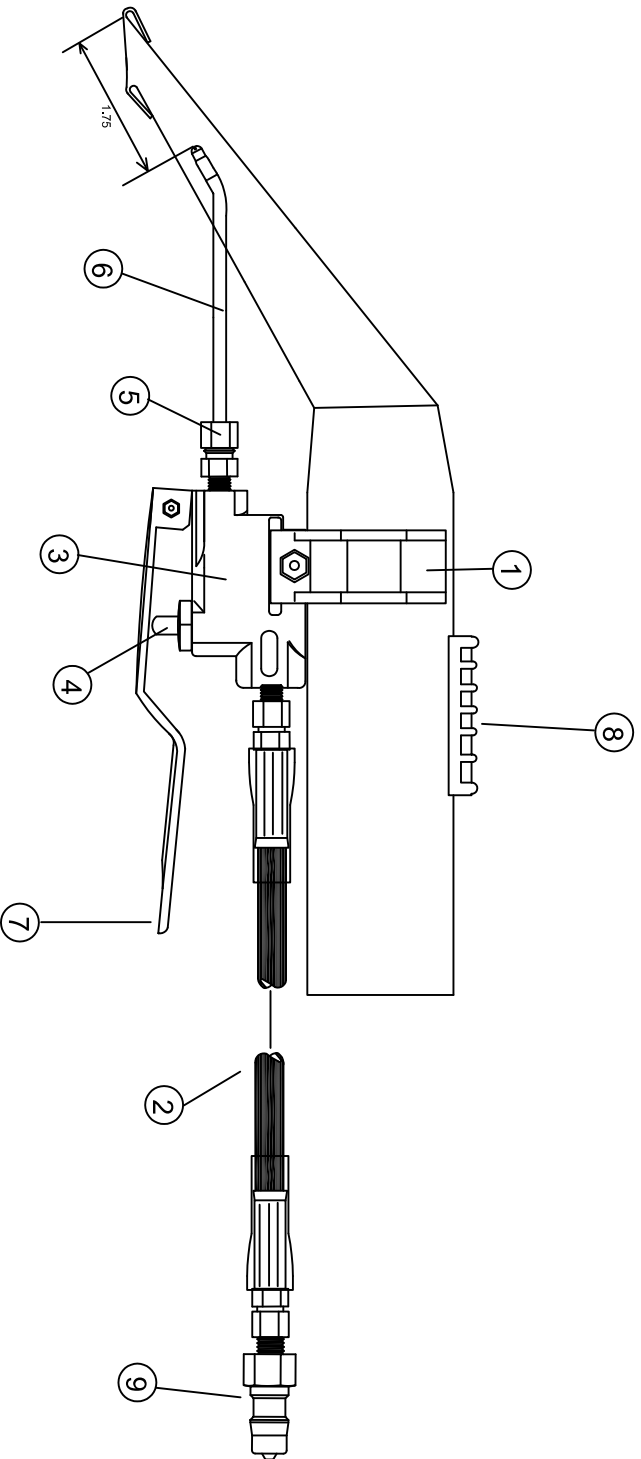


HAND TOOL NO DRIP 4"

(255-075)



| | |
|----------|---------------|
| PART NO. | 255-075 |
| DATE | DEC, 14, 2004 |
| VERSION | 01 |

HAND TOOL NO RIP 4" (255-075)

| REF | PART NO. | DESCRIPTION | NOTES: |
|-----|----------|--------------------------|--------|
| 1 | 538-212 | Valve Hanger | |
| 2 | 255-300 | 12" Whip Line | |
| 3 | 535-105 | Valve ASSY | |
| 4 | 538-025 | Valve Repair kit | |
| 5 | 555-106 | 1/8" x 1/4" Comp Fitting | |
| 6 | 564-105 | Jet Tube ASSY | |
| 7 | 566-020 | Handle Detailer | |
| 8 | 538-300 | Thumb Slide | |
| 9 | 580-015 | Q.C 1/4 Male (close) | |

HAND TOOL NO DRIP 4" (255-075)

| REF | PART NO. | DESCRIPTION | NOTES: |
|-----|----------|--------------------------|--------|
| 1 | 538-212 | Valve Hanger | |
| 2 | 255-300 | 12" Whip Line | |
| 3 | 535-105 | Valve ASSY | |
| 4 | 538-100 | Valve Repair kit | |
| 5 | 555-106 | 1/8" x 1/4" Comp Fitting | |
| 6 | 564-105 | Jet Tube ASSY | |
| 7 | 566-020 | Handle Detailer | |
| 8 | 538-300 | Thumb Slide | |
| 9 | 580-015 | Q.C 1/4 Male (close) | |